

# AIR BALANCE, INC.

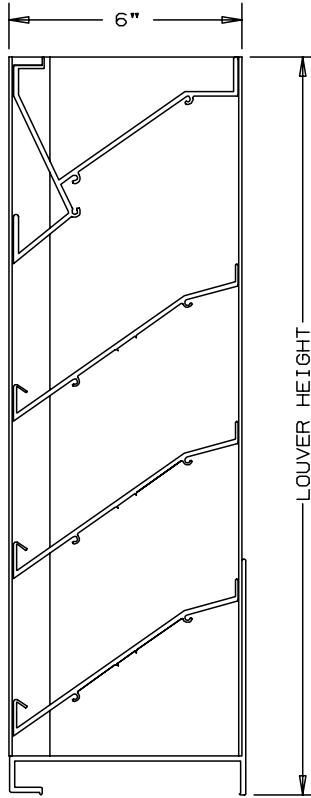
## EXTRUDED ALUMINUM LOUVERS

### 6" DEEP

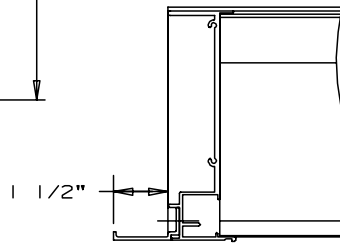
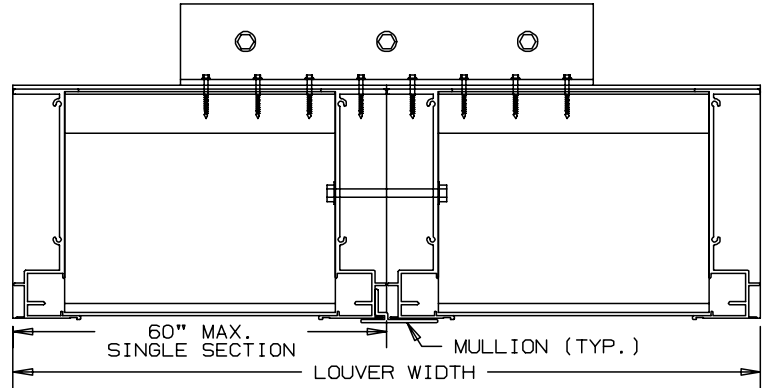
# TYPE A320

NOA NO. 11-1117.18

DRAIN BLADE-STATIONARY-CHANNEL TYPE  
WITHSTANDS DESIGN PRESSURE UP TO ±180 PSF



NOT TO SCALE



OPTIONAL FLANGE  
FRAME SHOWN

### SPECIFICATIONS

FRAME: EXTRUDED ALUMINUM CHANNEL FRAME .125" THK., OF 6063-T6 ALLOY OF WELDED CONSTRUCTION.  
 BLADE: EXTRUDED ALUMINUM .081" THK. OF 6063-T5 ALLOY MECHANICAL FASTENING CONSTRUCTION.  
 FACE OF LOUVER: FULL WIDTH SILL WITH HEAD AND BLADES CONTAINED WITHIN JAMBS. APPROXIMATE BLADE CENTERS 4".  
 SCREEN: (WHEN INDICATED, IN A REMOVABLE FRAME)  
 BIRD SCREEN - 1/2" FLATTENED ALUMINUM, .051" THK.  
 OR - 1/2" SQ. MESH INTERMEDIATE DOUBLE-CRIMPED ALUMINUM WIRE, .063" DIA.  
 OR - 18/16 MESH, .011" DIA. ALUMINUM WIRE INSECT SCREEN.

FINISH: \_\_\_\_\_  
 MINIMUM PANEL SIZE: 12" x 12"  
 MAXIMUM PANEL SIZE: 96" x 96"

NOMINAL DEDUCTIONS WILL BE MADE TO THE OPENING SIZE GIVEN.

ITEM	QTY.	OPENING SIZE		LOUVER SIZE		MULL	SCREENS		ARCH./ENG. : CONTR. : PROJECT : EDR: ECN: JOB: DATE: DWN. : DWG. :
		WIDTH	HEIGHT	WIDTH	HEIGHT		TYPE	LOC	



**AIR BALANCE, INC.**  
 A Mestek Company  
 450 Riverside Drive  
 Wyalusing, PA 18853

AGENT: \_\_\_\_\_

# LOUVER MODEL A320 DRAIN BLADE EXTRUDED ALUMINUM - STATIONARY

## FREE AREA

FREE AREA (SQ. FT.)									
		WIDTH							
		12"	24"	36"	48"	60"	72"	84"	96"
HEIGHT	12"	.18	.43	.69	.94	1.16	1.42	1.67	1.93
	24"	.69	1.70	2.70	3.71	4.59	5.59	6.60	7.60
	36"	1.21	2.96	4.72	6.47	8.01	9.76	11.52	13.27
	48"	1.72	4.23	6.73	9.24	11.43	13.93	16.44	18.94
	60"	2.24	5.49	8.75	12.00	14.85	18.11	21.36	24.62
	72"	2.75	6.76	10.72	14.77	18.27	22.28	26.28	30.29
	84"	3.27	8.02	12.78	17.53	21.69	26.45	31.20	35.96
	96"	3.78	9.29	14.79	20.30	25.12	30.62	36.13	41.63